

Technical data sheet FineController for Schuko socket

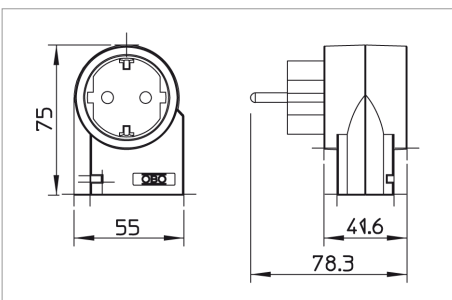


FC-...: Surge protection device Type 3 (Class D) to VDE 0675 part 6-11 (DIN EN 61643-11), intended for use in protective contact sockets.

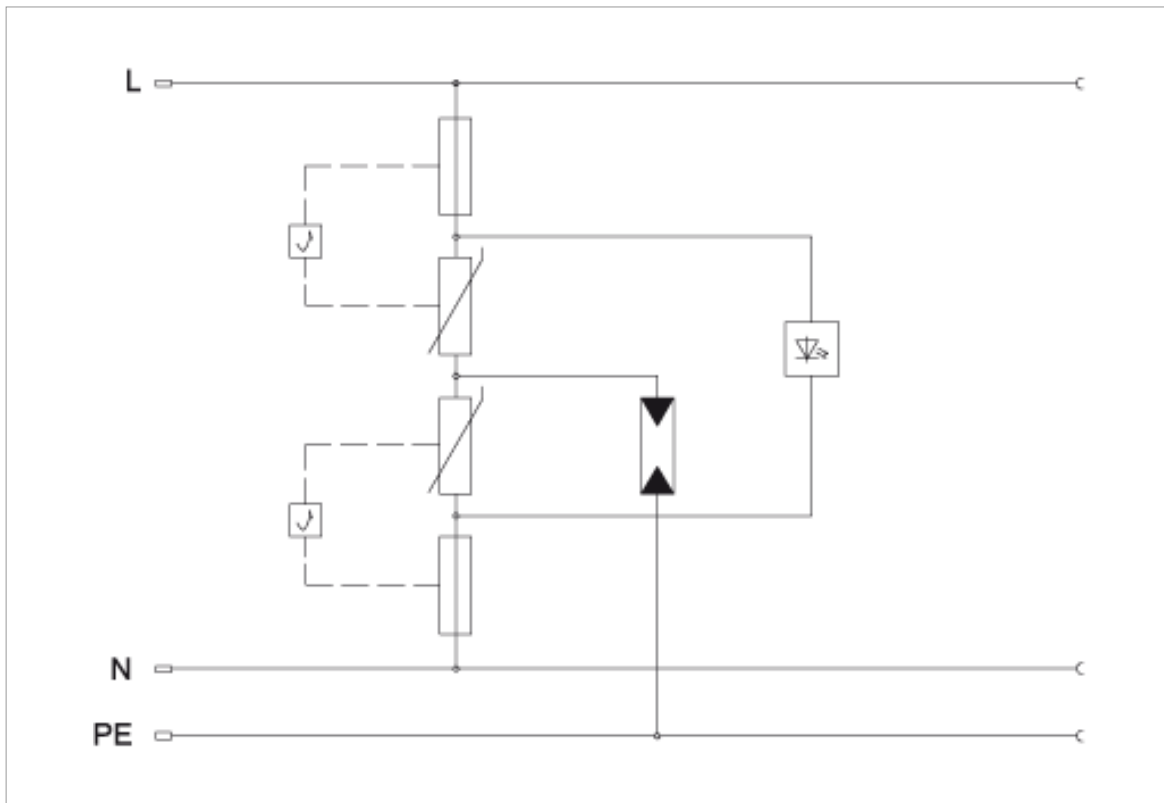
- VDE-tested
- Separating device and function display
- Child lock

Type	Country-specific version	Colour	Pack Units	Weight kg/100 pc.	Art.-No.
FC-D	EN	Pure white; RAL 9010	1	12.000	5092800

G /pc.



Connection-/Circuit diagram



Article number			5092800
Nominal voltage	U_N	V	230
Maximum continuous voltage	U_C	V	275
SPD to EN 61643-11			Type 3
SPD to IEC 61643-1			class III
LPZ			2?3
Nominal discharge surge current (8/20)	I_n	kA	3
Protection level (L-N)		kV	< 1,2
Protection level (N-PE)		kV	< 1,5
Maximum back-up fuse		A	16
Response time	t_A	ns	<25

Legend



Protection device to DIN EN 61643-11 or IEC 61643-11



Transition from LPZ 2 to LPZ 3



Communautés Européennes, EC declaration of conformity according to EC directives



German Association of Electricians, tested safety



5-year warranty